



MAXIMO® EVOLUTION ACTIVE

High-End Sitting Comfort
with Actively and Electronically
Controlled Suspension



GRAMMER

TECHNICAL DATA

MAXIMO® EVOLUTION ACTIVE

The innovative actively and electronically controlled suspension of the Maximo Evolution Active reduces vibrations by an average of 40%, and the peak acceleration levels by as much as 75%. Active weight adjustment completely automatically sets the seat to the user's weight. These features, together with optimized suspension travel, let the seat fully tap its potential for delivering greater ergonomics and safety. In addition, an active seat climate system with removal of body moisture makes sure that the operator never again has to sit at the wheel drenched in sweat.

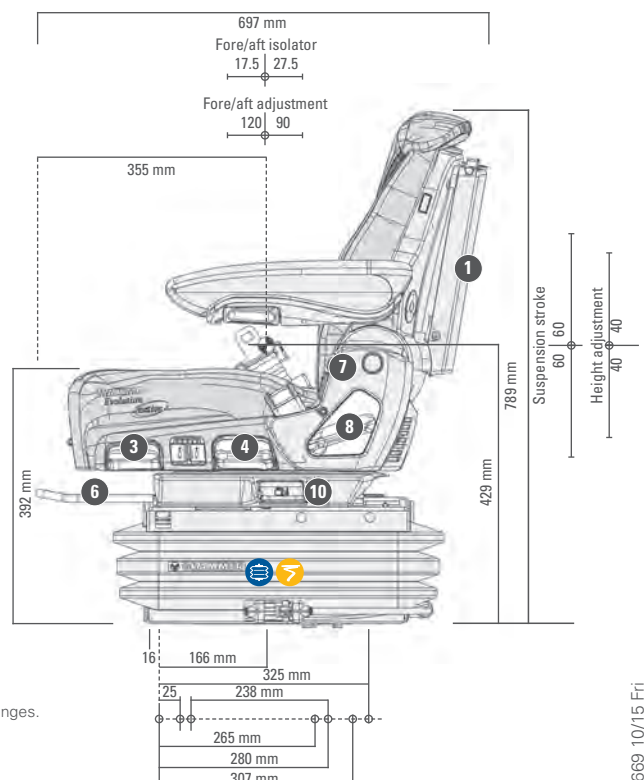
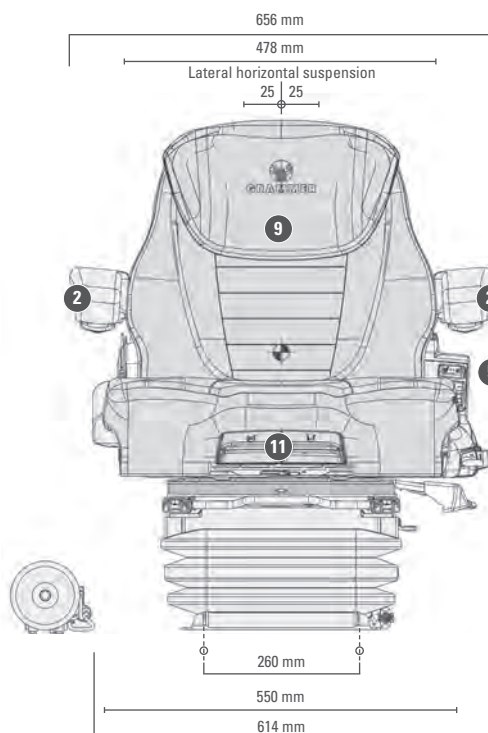


Features ● Standard ○ Optional

	Maximo® Evolution Active
Article no. fabric	1288762
Article no. fabric, operator presence switch (OPS) for Fendt	1297511
① Document box	●
APS (Automatic positioning system)	●
② Armrests, height-adjustable and foldable 80 x 380 mm, adjustable angle, with fabric cover	●
Shock absorber Automatic	●
③ Swivel Adjustment range 20°	●
Pneumatic Suspension with 12V compressor	●
Electronic active controlled suspension	●
Suspension stroke, 120 mm	●
Weight adjustment Active (electronic)	●

	Maximo® Evolution Active
④ Height adjustment 80 mm infinite (air-assisted)	●
⑤ Climate system Active	●
⑥ Fore/aft adjustment 210 mm	●
Fore/aft isolator	●
⑦ Lumbar support, pneumatic	●
⑧ Adjustable backrest angle	●
⑨ Backrest extension, integrated	●
⑩ Lateral suspension	●
⑤ Seat heating	●
⑪ Adjustable seat cushion depth and angle	●
Operator presence switch (OPS)	●
Seat cushion width	550 mm
OPTIONAL FEATURES	
Restraint system	○

Measurements (installation dimensions)



All dimensions in mm.
Subject to technical changes.